

Magnet drive gear pump-motor units FG200/FG300 series



Find out more

The Fluid-o-Tech® FG series combines a 24V brushless DC drive motor in a rotor-less configuration with a high precision mag drive MG or PG series gear pump to deliver a high system capable of handling fluids in the most demanding applications. The service life of the unit, due to fewer moving parts and to the excellent balance of the system, is greatly extended compared to the traditional pump-motor units. The integration of the pump, motor and variable speed controller provides an electromagnetically coupled, leak free fluidic system with a high degree of versatility. The extreme accuracy of the design and of the finishing allows the unit to deliver a smooth and pulsation free flow in all conditions. Different materials are available for a wide array of fluids.



MAIN APPLICATIONS

- Medical equipment
- Hemodialysis apparatus
- Laser apparatus
- Lubrication
- Ink-Jet printing systems
- Cooling systems
- Laboratory instrumentation
- Water treatment
- Sampling
- Food processing equipment



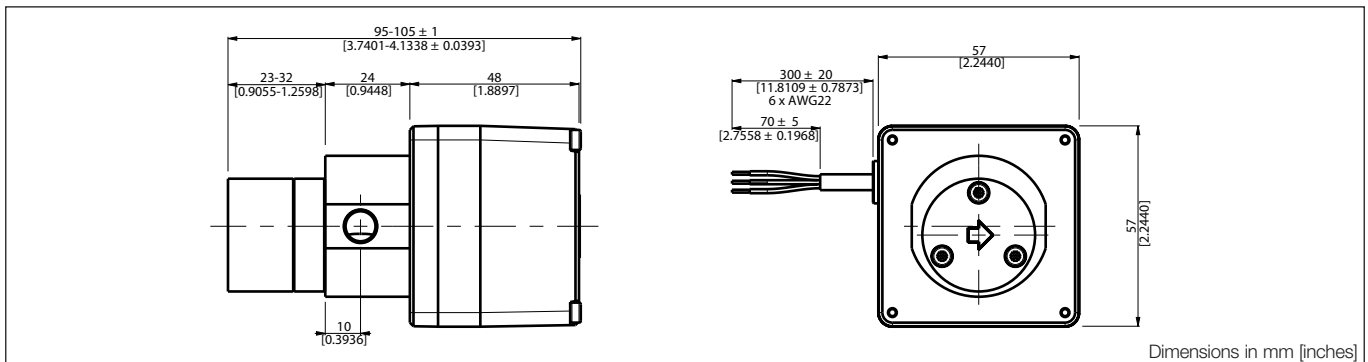
TECHNICAL INFORMATION

Pump housing material	AISI 316L or PPS	Motor type	24 V BLDC
Gears and bushing material	Peek/PTFE	Speed range	from 500 to 5000 rpm
Ports	1/8" GAS or NPT	Max output power	50 W
Max static pressure	20 bar/290 psi	Motor IP protection	IP 52
Max vacuum	724 mmHg/28.5 inHg	Insulation class	F
Wet lift with water*	~ 8 m/26.2 ft	Unit weight	AISI 316L 910g/2lb - PPS 550g/1.2lb

* Priming ability varies with operating conditions and fluid characteristics

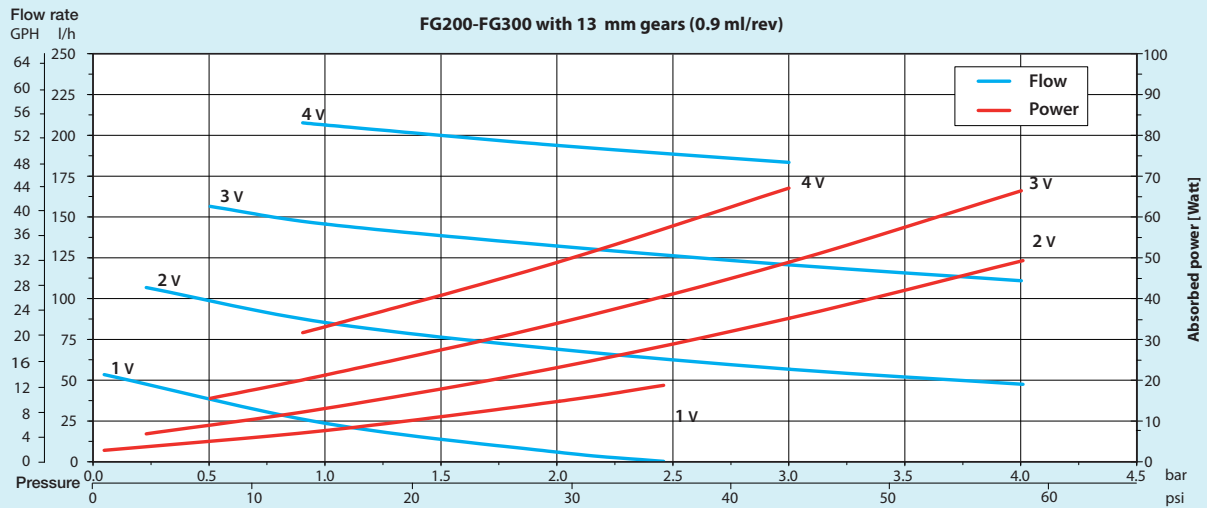
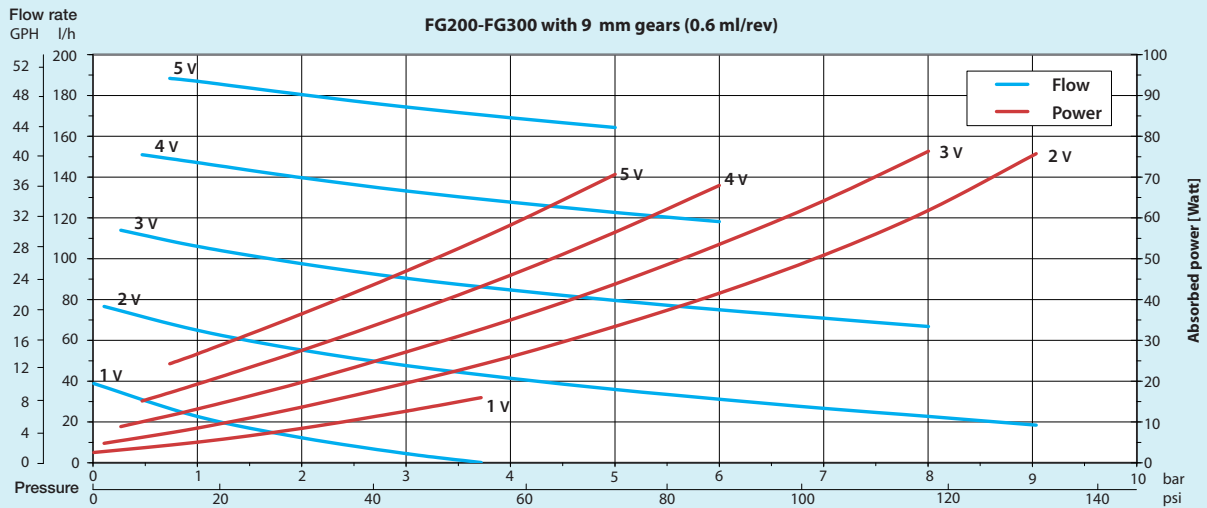
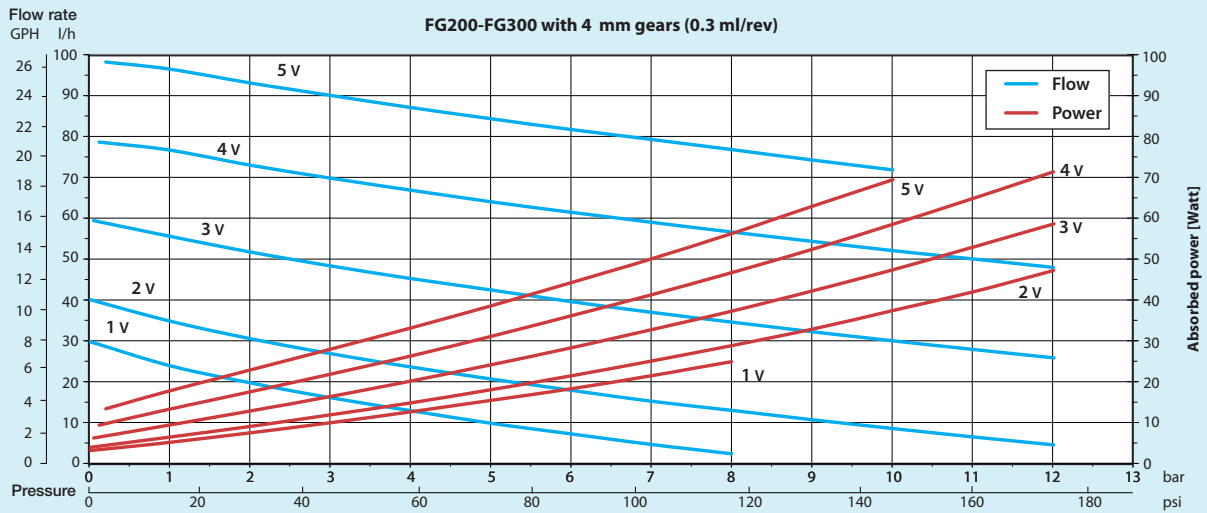
OPERATING RANGE

Max ambient temperature	40 °C/104 F	70 °C/150 F	40 °C/104 F
Fluid temperature	95 °C/203 F	55 °C/131 F	40 °C/104 F
Max torque	30 mNm/4.2 in-oz at 5000 rpm	70 mNm/9.9 in-oz at 3500 rpm	100 mNm/14.1 in-oz at 3500 rpm
Min ambient temperature	5°C/41 F		



Dimensions in mm [inches]

Magnet drive gear pump-motor units FG200/FG300 series



Note: Characteristics with water at 20 °C (68 F) and without relief valve. Use a filter before the pump inlet no larger than 10 micron. Temperature requirements different from ambient temperature must be mentioned on the order. Different materials are available upon request.

Fluid-o-Tech reserves the right to alter the specifications indicated in this catalogue at any time and without prior notice.

Fluid-o-Tech srl
Via Leonardo da Vinci, 40
20094 Corsico, Milano, Italy
Tel. +39 02 9995 01
Fax +39 02 9995 0999
info@fluidotech.it

Fluid-o-Tech Int'l Inc.
161 Atwater St.,
06479 Plantsville CT (USA)
Tel. +1 (860) 276 9270
Fax +1 (860) 620 0193
info@fluid-o-tech.com

Fluid-o-Tech Int'l Inc. Japan
203, 2-17-19, Ebara, Shinagawa
Tokyo 142-0063, Japan
Tel. +81 (0) (3) 3783 9660
Fax +81 (0) (3) 3783 9661
k.kato@fluidotech.com

Fluid-o-Tech Asia (Beijing) Co., Ltd
Jingwei Industrial Zone,
Beifang Huairou, Beijing, 101400, PRC
Tel. +86 (0) (10) 6168 4650
Fax +86 (0) (10) 6168 4651
info@fluidotech-asia.com