

▼  
Creative Passion

**Koino**<sup>®</sup>

[www.koino.com](http://www.koino.com)

## SMALL BUZZERS

Diameter	Shape	Mounting	dB(distance 1m)	Model	Model
Ø16	Round	Surface mounting	65dB	KH-4016	
	Square	Surface mounting		KH-4016S	
	Rectangular	Surface mounting		KH-4016R	
Ø22	Round	Surface mounting	90dB	KH-4022	
	Round	Flush mounting	65dB	NF22U	
Ø25	Round	Surface mounting	90dB	KH-4025	
Ø30	Round	Surface mounting	90dB	KH-4030	

## KH-4016

CONTROL  
COMPONENTSSQUARE  
LIGHTTOWER  
LIGHTMICRO  
SWITCHFOOT  
SWITCHLIMIT  
SWITCHPOWER  
SWITCHHOIST  
SWITCHCAM  
SWITCH

BUZZER

PHOTO  
SENSORPROXIMITY  
SENSORFLOATLESS  
LEVEL SWITCHTIMER &  
COUNTER

RELAY

SOCKETS

TERMINAL  
BLOCKCONTROL  
BOXPID TEMP.  
CONTROLLER

## CLASSIFICATION

KH - 4016 - D S

① ②

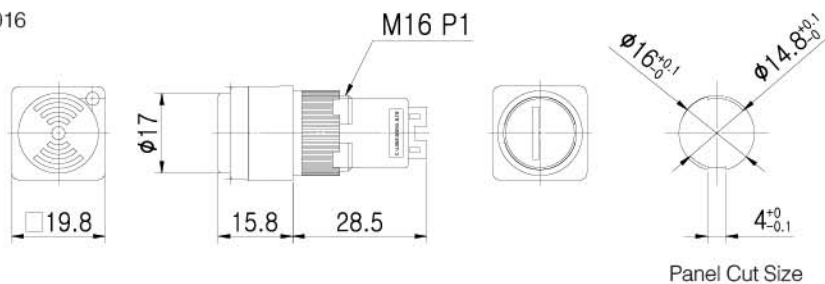
① Sound	D	Direct
	F	Flicker
	none	Dual
② Shape	none	Round
	S	Square
	R	Rectangular

## Specification

Input Voltage	12~24VDC(± 10%)
Current consumption	Max. 25mA
dB	min. 65dB (distance 1m)
Insulation resistance	100MΩ(500VDC)
Dielectric strength	1,000 VAC between live part and dead part
Vibration resistance	10~55Hz double amplitude 0.5mm at X, Y, and Z axis for 1 hour
Shock resistance	20G
Protection	IP40
Ambient operating Temperature	-10°C ~+55°C
Ambient temperature (stock)	-25°C ~+70°C
Ambient humidity	45~85%RH
Material	Buzzer part: Nylon, Body: PC
Weight	10g

## Dimension

KH-4016



# NF22U

## CLASSIFICATION

NF 22 U X

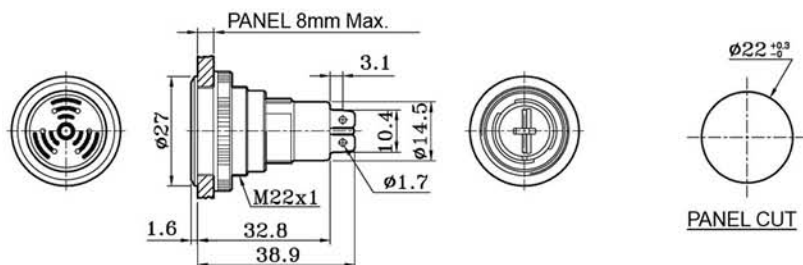
①

① Sound	D	Direct
	F	Flicker
	none	Dual

### Specification

Input Voltage	12~24VDC( ± 10%)
Current consumption	Max. 25mA
dB	min. 65dB (distance 1m)
Insulation resistance	100M $\Omega$ (500VDC)
Dielectric strength	1,000 VAC between live part and dead part
Vibration resistance	10~55Hz double amplitude 0.5mm at X, Y, and Z axis for 1 hour
Shock resistance	20G
Protection	IP40
Ambient operating Temperature	-10°C ~+55°C
Ambient temperature (stock)	-25°C ~+70°C
Ambient humidity	45~85%RH
Material	Buzzer part: Nylon, Body: PC, guard: aluminum
Weight	22g

### Dimension



# KH-4022, 4025, 4030

CONTROL  
COMPONENTSSQUARE  
LIGHTTOWER  
LIGHTMICRO  
SWITCHFOOT  
SWITCHLIMIT  
SWITCHPOWER  
SWITCHHOIST  
SWITCHCAM  
SWITCH**BUZZER**PHOTO  
SENSORPROXIMITY  
SENSORFLOATLESS  
LEVEL SWITCHTIMER &  
COUNTER

RELAY

SOCKETS

TERMINAL  
BLOCKCONTROL  
BOXPID TEMP.  
CONTROLLER

## CLASSIFICATION

**KH - 40 22 - D**

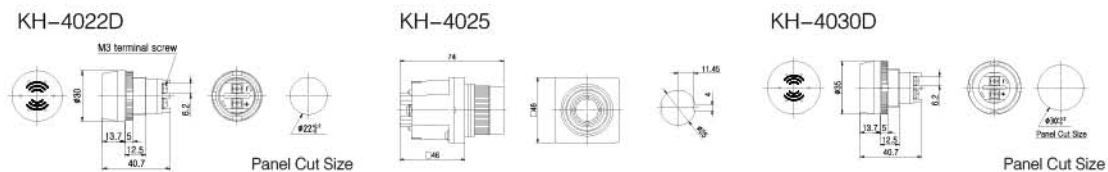
① ②

① Diameter	22	Ø22
	25	Ø25
	30	Ø30
① Sound	D	Direct
	F	Flicker
	none	Dual

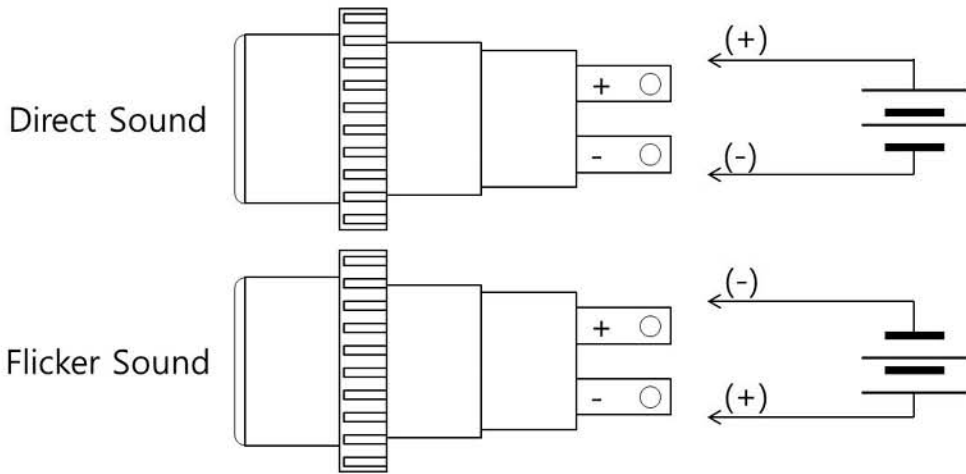
### Specification

Input Voltage	12~24VDC(± 10%)
Current consumption	Max. 25mA
dB	min. 65dB (distance 1m)
Insulation resistance	100MΩ(500VDC)
Dielectric strength	1,000 VAC between live part and dead part
Vibration resistance	10~55Hz double amplitude 0.5mm at X, Y, and Z axis for 1 hour
Shock resistance	20G
Protection	IP40
Ambient operating Temperature	-10°C ~+55°C
Ambient temperature(stock)	-25°C ~+70°C
Ambient humidity	45~85%RH
Material	Buzzer part: Nylon, Body: PC
Weight	10g

### Dimension



Wiring Diagram for dual type



# KH-401-1, KH-401-2

Built-in buzzer for machines

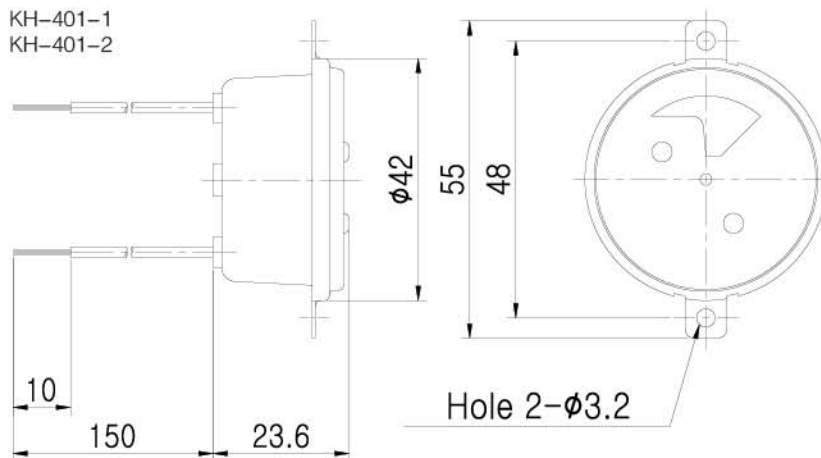


KH-401-1, KH-401-2

## Classification

Model	Input voltage	Power consumption	dB	Diameter	Material	Weight
KH-401-1	110VAC	4VA	65dB	Ø42	Carbon tool steel	49g
KH-401-2	2201VAC	4VA	65dB	Ø42		

## Dimension



CONTROL COMPONENTS

SQUARE LIGHT

TOWER LIGHT

MICRO SWITCH

FOOT SWITCH

LIMIT SWITCH

POWER SWITCH

HOIST SWITCH

CAM SWITCH

**BUZZER**

PHOTO SENSOR

PROXIMITY SENSOR

FLOATLESS LEVEL SWITCH

TIMER & COUNTER

RELAY

SOCKETS

TERMINAL BLOCK

CONTROL BOX

PID TEMP. CONTROLLER

# KH-402, KH-4025



KH-4025-1, 4025-2



KH-402-1, 402-2

## CLASSIFICATION

**KH - 40 25 - 1**  
 ① ②

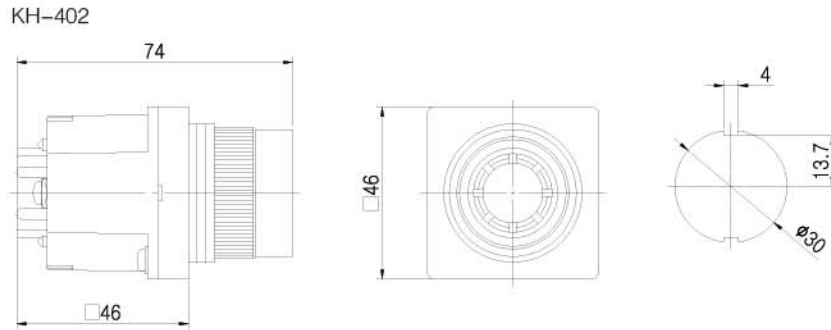
① Diameter	2	ø30
	25	ø25
② Inputvoltage	1	110VAC
	2	220VAC

### Specification

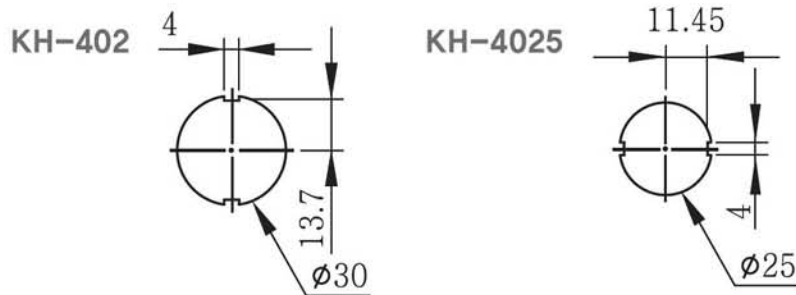
Power Consumption	4VA
dB	min. 65dB(distance 1m)
Insulation resistance	100MΩ(500VDC)
Dielectric strength	1,000VAC 50/60Hz for 1 min. between live part and dead part
Ambient temperature	-10°C ~+55°C
Ambient humidity	45~85%RH
Material	Body: ABS, Ring: chrome plated ABS
Weight	98g



**Dimension**



**Panel cut**



CONTROL COMPONENTS

SQUARE LIGHT

TOWER LIGHT

MICRO SWITCH

FOOT SWITCH

LIMIT SWITCH

POWER SWITCH

HOIST SWITCH

CAM SWITCH

**BUZZER**

PHOTO SENSOR

PROXIMITY SENSOR

FLOATLESS LEVEL SWITCH

TIMER & COUNTER

RELAY

SOCKETS

TERMINAL BLOCK

CONTROL BOX

PID TEMP. CONTROLLER

# KH-403



KH-403



KH-403C

## CLASSIFICATION

**KH - 403 C F - 12**

① ② ③

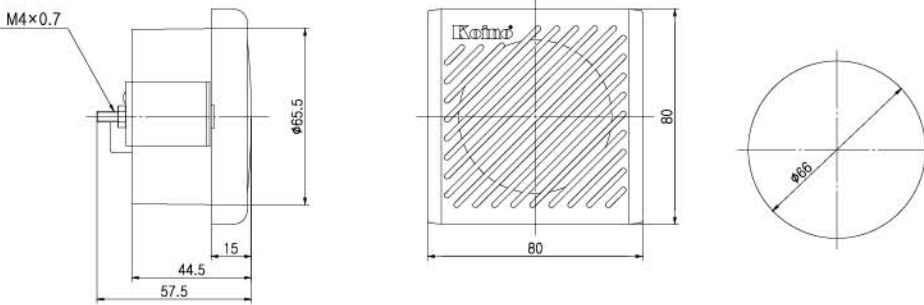
① Mounting	none	Flush mounting
① Mounting	C	Surface mounting
② Sound	none	Direct (AC)
② Sound	D	Direct (AC/DC)
② Sound	F	Flicker (AC/DC)
③ Input voltage	1	110VAC
③ Input voltage	2	220VAC
③ Input voltage	12	AC/DC 12V
③ Input voltage	24	AC/DC 24V
③ Input voltage	48	AC/DC 48V

## Specification

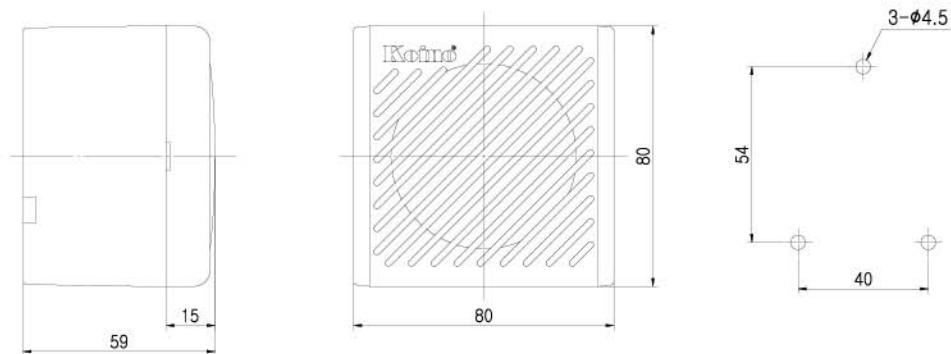
Model	KH-403-1	KH-403-2	KH-403D-12,24,48	KH-403F-12,24,48
	KH-403C-1	KH-403C-2	KH-403CD-12,24,48	KH-403CF-12,24,48
Input voltage	110VAC	220VAC	AC/DC 12, 24, 48V	AC/DC 12, 24, 48V
Power consumption	8VA		AC12V: 2.7VA, DC12V: 200mA	AC24V: 6.3VA, DC24V: 240mA
			AC48V: 9.6VA, DC48V: 185mA	
dB	minimum 85dB (distance 1m)			
Dielectric strength	1,000VAC 50/60Hz for 1 min. between live part and dead part			
Ambient temperature	-10°C ~+55°C			
Ambient humidity	45~85%RH			
Material	Body: ABS, front panel: ABS			
Weight	Flush mounting type:183g surface mounting type: 240g		Flush mounting type:159g surface mounting type: 224g	

**Dimension**

KH-402



KH-403



CONTROL COMPONENTS

SQUARE LIGHT

TOWER LIGHT

MICRO SWITCH

FOOT SWITCH

LIMIT SWITCH

POWER SWITCH

HOIST SWITCH

CAM SWITCH

**BUZZER**

PHOTO SENSOR

PROXIMITY SENSOR

FLOATLESS LEVEL SWITCH

TIMER & COUNTER

RELAY

SOCKETS

TERMINAL BLOCK

CONTROL BOX

PID TEMP. CONTROLLER



# KH-4065 SIGNAL PHONE



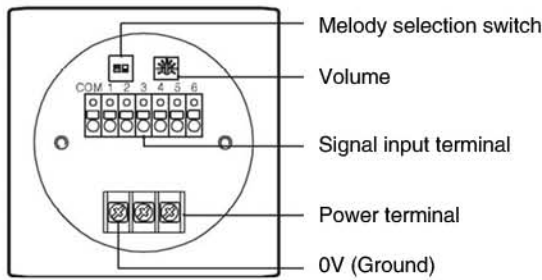
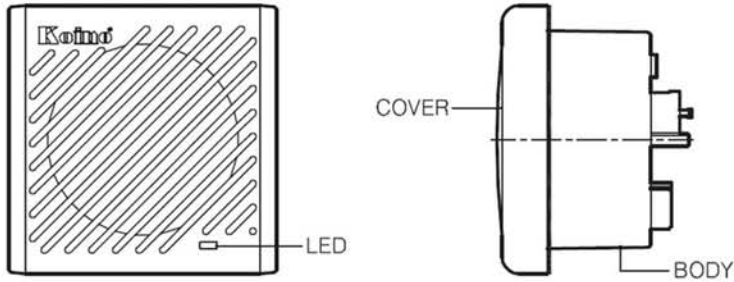
- Various melodies
- Easy installation
- IP54

## Selection Guide

Diameter for Installation	Rated Voltage	Model Number
φ65	110/220 VAC	KH-4065A
	12/24 VDC	KH-4065D

## Specification

	KH-4065A	KH-4065D
Power consumption	5W	
Max. Output	1W	
Sound Pressure	105 dB Max.(1.M)	
Ambient Temp.	-20~+60°C (not freezing condition)	
Ambient Humidity	45~85% RH	
Protection	IP54	
Weight	185g	120g



CONTROL COMPONENTS

SQUARE LIGHT

TOWER LIGHT

MICRO SWITCH

FOOT SWITCH

LIMIT SWITCH

POWER SWITCH

HOIST SWITCH

CAM SWITCH

BUZZER

PHOTO SENSOR

PROXIMITY SENSOR

FLOATLESS LEVEL SWITCH

TIMER & COUNTER

RELAY

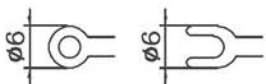
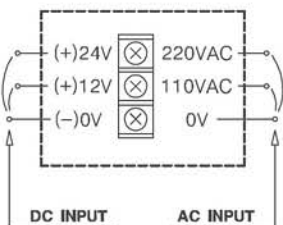
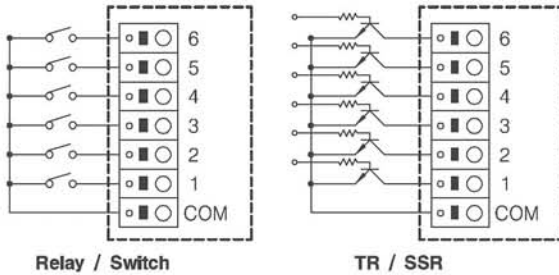
SOCKETS

TERMINAL BLOCK

CONTROL BOX

PID TEMP. CONTROLLER

Wiring Diagram



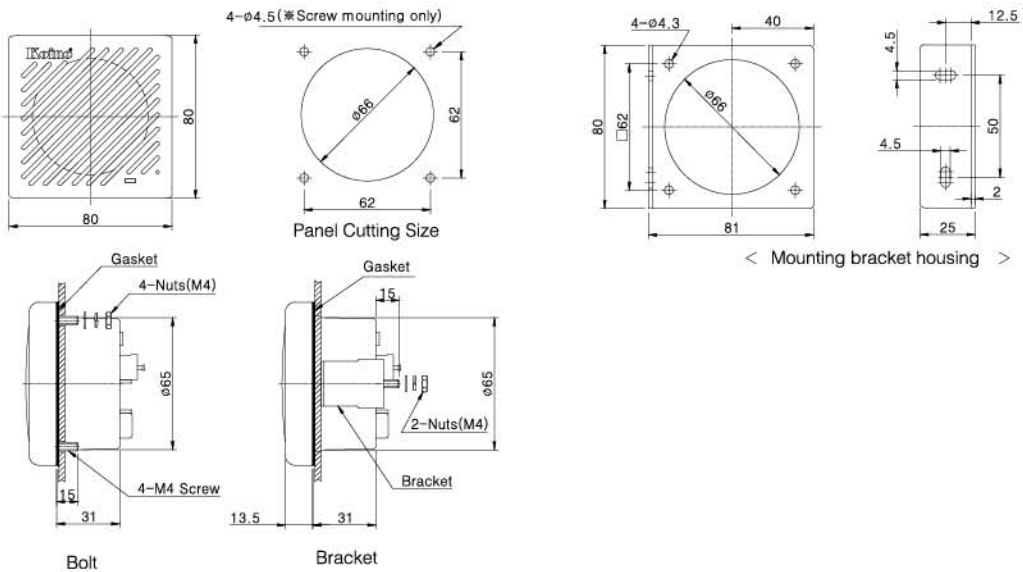
- Signal input wire: AWG 26~16, Str. 0.13~1.5mm<sup>2</sup>, Sol Ø0.12~Ø1.6
- Power input wire rug: M3 Screw, Max. Ø6mm



**Melody selection**

NO.	Mode	Channel					
		1	2	3	4	5	6
1(M)		Minuet	Canon	Voice of Spring	Type writer	Magic Flute	Tambourin
2(M)		Type writer	Magic Flute	Tambourin	La Campanella	Home sweet home	Swan lake
3(S)		Ambulance	Ring tone	Ding-dong	Ring-ding-dong	School bell	Door bell
4(SM)		School bell	Door bell	Home sweet home	Tambourin	Swan lake	Voice of Spring

**Dimensions**



▼  
Creative Passion

**Koino**<sup>®</sup>

[www.koino.com](http://www.koino.com)

▼  
Creative Passion

**Koino**<sup>®</sup>

[www.koino.com](http://www.koino.com)