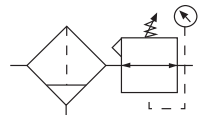


Filter / Regulator B03

= "Most Popular"

B

Filters, Regulators, Lubricators



B03-02-0000

Features

- Excellent Water Removal Efficiency
- Unbalanced Poppet Standard
- Solid Control Piston for Extended Life
- Space Saving Package offers both Filter and Regulator features in One Integral Unit
- Non-rising Adjustment Knob
- Two Full Flow 1/8" Gauge Ports

Specifications

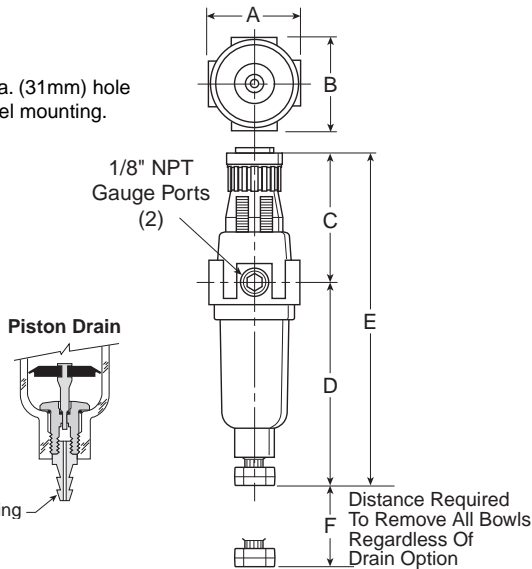
Flow Capacity*	1/8	16 SCFM (7.5 dm ³ /s)
	1/4	18 SCFM (8.5 dm ³ /s)
Gauge Ports (2)	1/8 Inch	
Port Threads	1/8, 1/4 Inch	
Pressure & Temperature Ratings –		
Plastic Bowl	0 to 150 PSIG (0 to 10.3 bar) 32°F to 125°F (0°C to 52°C)	
Metal Bowl	0 to 250 PSIG (0 to 17.2 bar) 32°F to 175°F (0°C to 80°C)	
Secondary Pressure Ranges –		
Standard Pressure	2 to 125 PSIG (0 to 8.6 bar)	
Medium Pressure	1 to 60 PSIG (0 to 4.1 bar)	
Medium Pressure	1 to 30 PSIG (0 to 2.1 bar)	
Low Pressure	1 to 15 PSIG (0 to 1.0 bar)	
Weight	.4 lb. (.18 kg)	

* Inlet pressure 100 PSIG (6.9 bar). Secondary pressure 90 PSIG (6.2 bar) and 10 PSIG pressure drop.

Materials of Construction

Adjusting Nut	Brass
Adjusting Stem & Spring	Steel
Body	Zinc
Bonnet, Knob, Seat, Piston, Holder & Deflector	Plastic
Bowls – Transparent	Polycarbonate
Metal (Without Sight Gauge)	Zinc
Filter Elements – 5 Micron (Standard)	Plastic
Manual Drain –	
Body & Stem	Plastic
Seals	Nitrile
Piston Drain –	
Piston & Seals	Nitrile
Stem, Seat, Adaptor & Washers	Aluminum
Seals	Nitrile

NOTE: 1.218 Dia. (31mm) hole required for panel mounting.



Dimensions

Model	Inches (mm)	A	B	C	D	D†	E	E†	F
Standard Unit B03-XX-XXXX		1.62 (41)	1.58 (40)	2.42 (61)	3.79 (96)	3.64 (92)	6.21 (158)	6.06 (154)	1.60 (41)

† With Piston Drain

= "Most Popular"

Replacement Kits

- Filter Element Kit, 5 MicronPS403
- Metal Bowl –
 - Piston DrainPS451B
 - Manual DrainPS447B
- Poly Bowl –
 - Piston DrainPS408B
 - Manual DrainPS404
- Poppet / Piston Kits –
 - Unbalanced, Non-RelievingPS428P
 - Unbalanced, RelievingPS426P

Accessories

- Gauge, Pressure –
 - 30 PSIG (0 to 2.1 bar)K4515N18030
 - 60 PSIG (0 to 4.1 bar)K4515N18060
 - 160 PSIG (0 to 11.0 bar).....K4515N18160
- Mounting Bracket Kit* (Includes Panel Mount Nut).....PS417B
- Panel Mount Nut* –
 - PlasticP78652
 - MetalP01531
- Springs –
 - 1 to 15 PSIG RangeP01176
 - 1 to 30 PSIG RangeP01175
 - 1 to 60 PSIG RangeP01174
 - 2 to 125 PSIG RangeP01173

*Tighten panel mount nut 2.8 to 3.4 Nm (25 to 30 in-lbs) of torque.

WARNING

Product rupture can cause serious injury.
 Do not connect regulator to bottled gas.
 Do not exceed maximum primary pressure rating.

CAUTION:

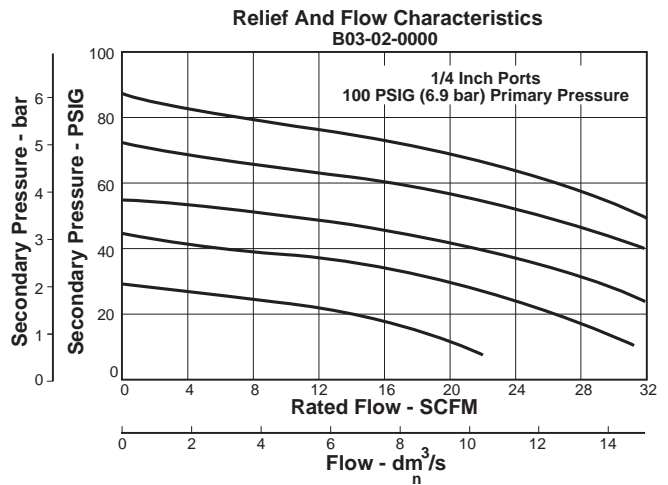
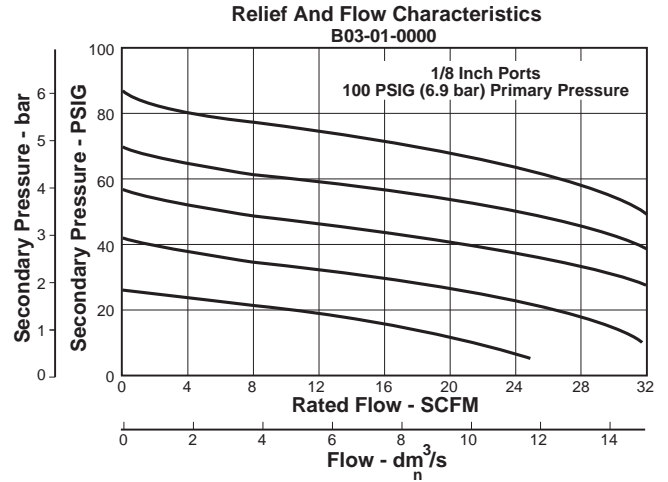
REGULATOR PRESSURE ADJUSTMENT – The working range of knob adjustment is designed to permit outlet pressures within their full range. Pressure adjustment beyond this range is also possible because the knob is not a limiting device. This is a common characteristic of most industrial regulators, and limiting devices may be obtained only by special design.

For best performance, regulated pressure should always be set by increasing the pressure up to the desired setting.

Ordering Information

Model Type	Port Size	Plastic Bowl	Metal Bowl
Manual Drain	1/8	B03-01-0000	B03-01-M000
	1/4	B03-02-0000	B03-02-M000

Options - To order an option supplied with the unit model, add the appropriate coded suffix letter in the designated position of the model number.



B
Filters, Regulators, Lubricators