

ULTRASONIC

PTU51

Level transmitter

Ultrasonic - for measurement in liquids, muds and acids;
 Range: 0,3 ÷ 6m; IP68 proof
 Housing in polypropylene (PP)
 Calibration via MODBUS or by VLW601 / VLW90M modules
 Power supply 24Vdc
 Temperature range -25 ÷ +75°C

Version

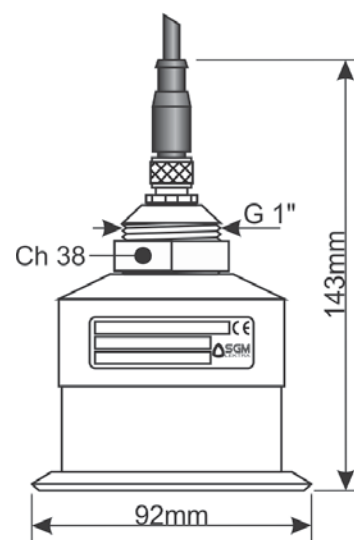
C	Designed to be connected to VLW90M unit + male connector
D	4÷20mA + MODBUS output transmitter + male connector
Z	Special

Process connection / Sensor material

0	G 1" A / PP + n.1 1" BSP/ PP fixing bolt
1	DN100 PN6 UNI 1092-1 / PP flange
9	Special

Optional (opt.)

A	None
F	MODBUS PC communication S/W (010F105A)
T	IP68 female connector with 5m linking cable
U	IP68 female connector with 10m linking cable
V	IP68 female connector with 15m linking cable
W	IP68 female connector with 20m linking cable
Z	Special



PROCESS CONTROL AND MEASUREMENT